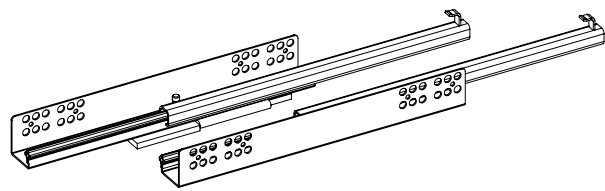
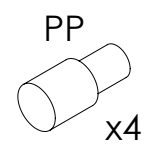
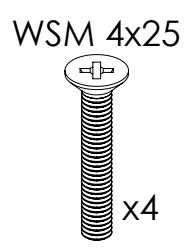
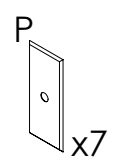
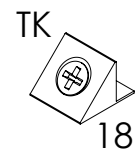
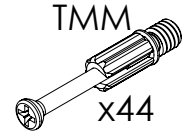
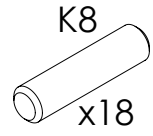
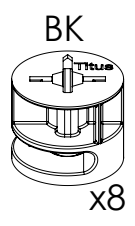
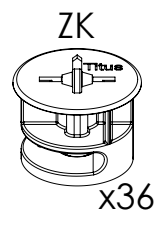
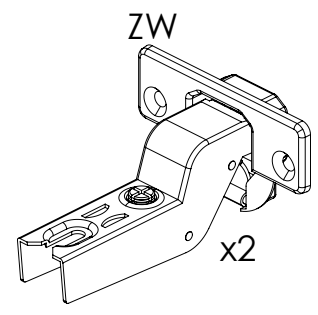
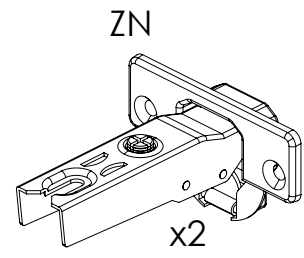
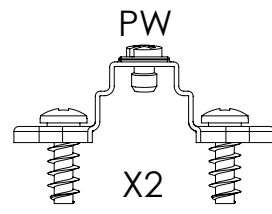
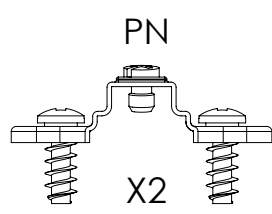
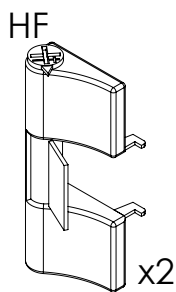
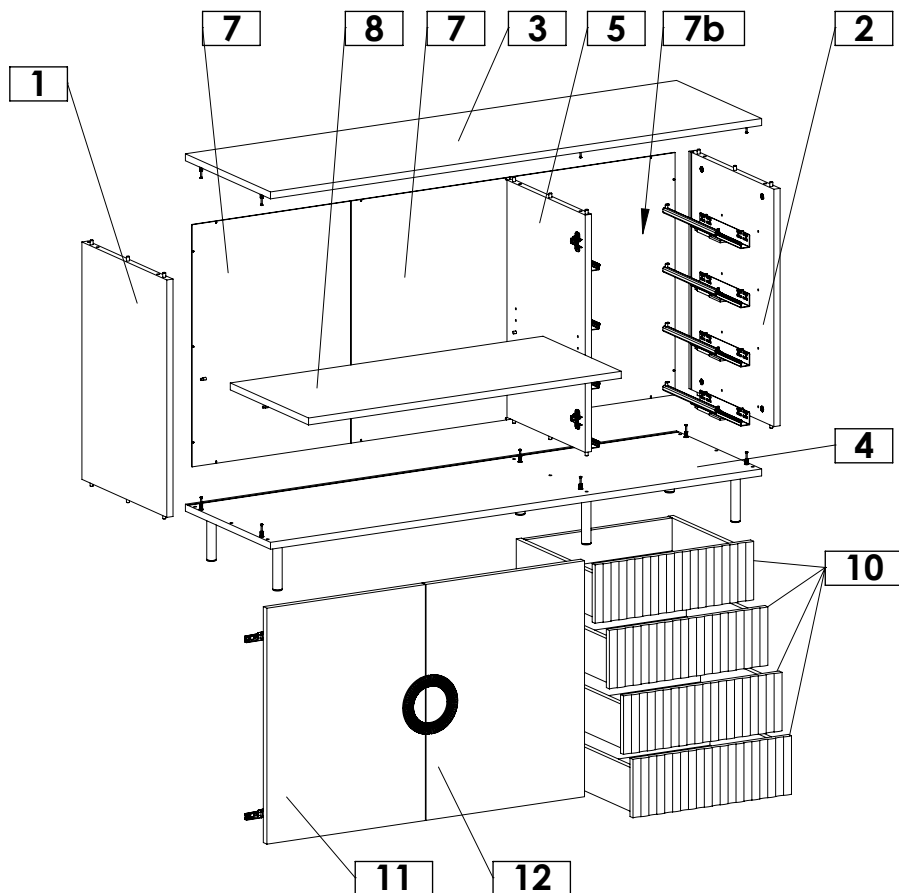
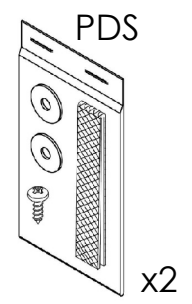
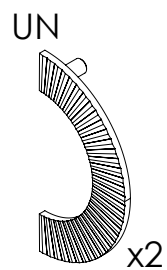
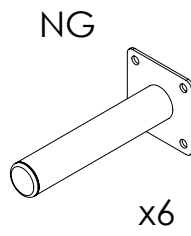


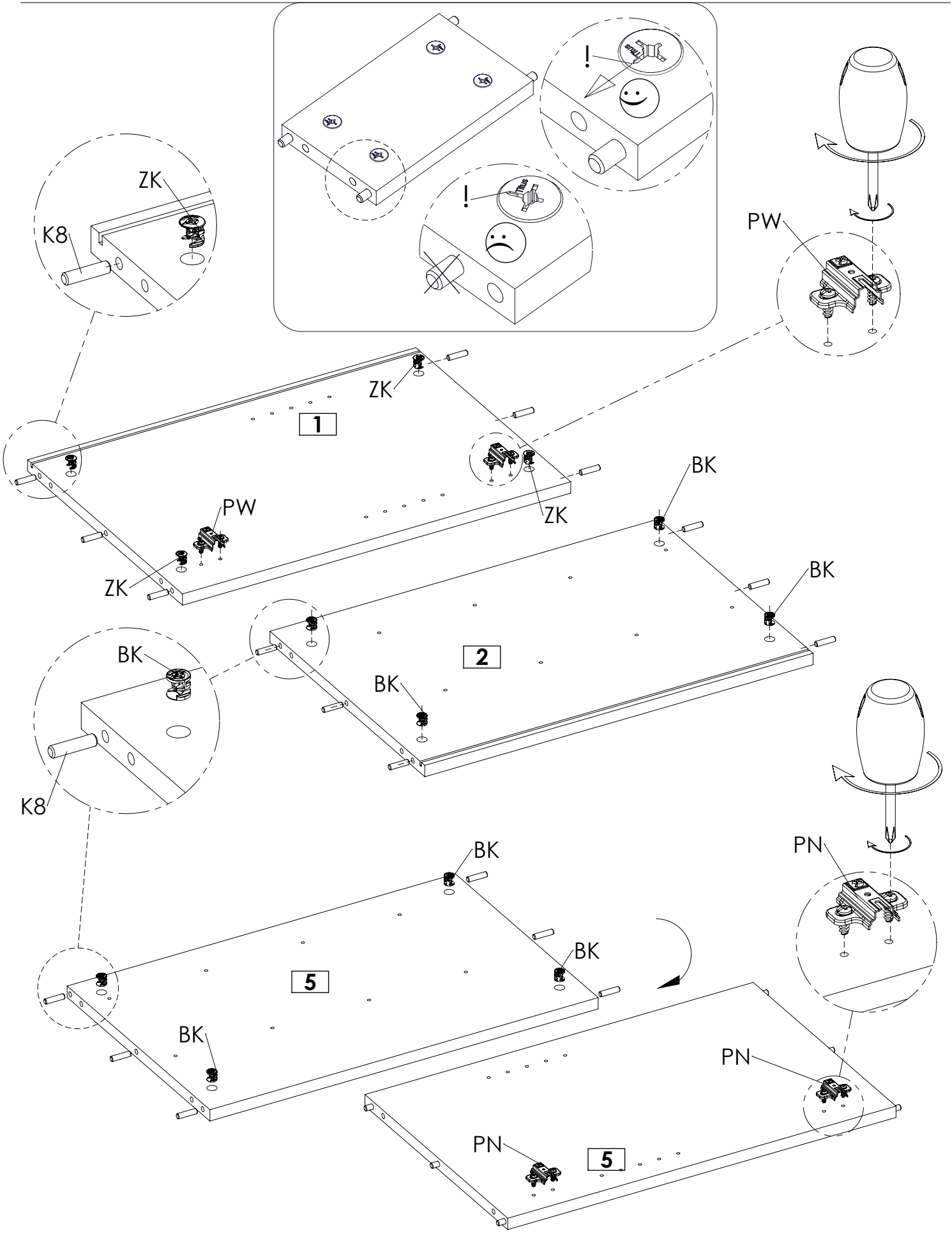
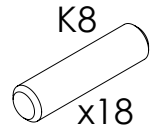
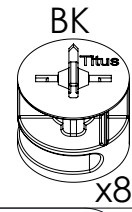
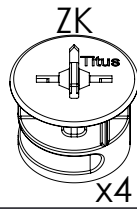
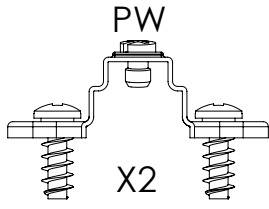
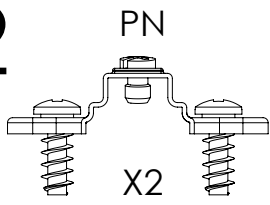
1



Q25-400(P+L) x 4 kpl

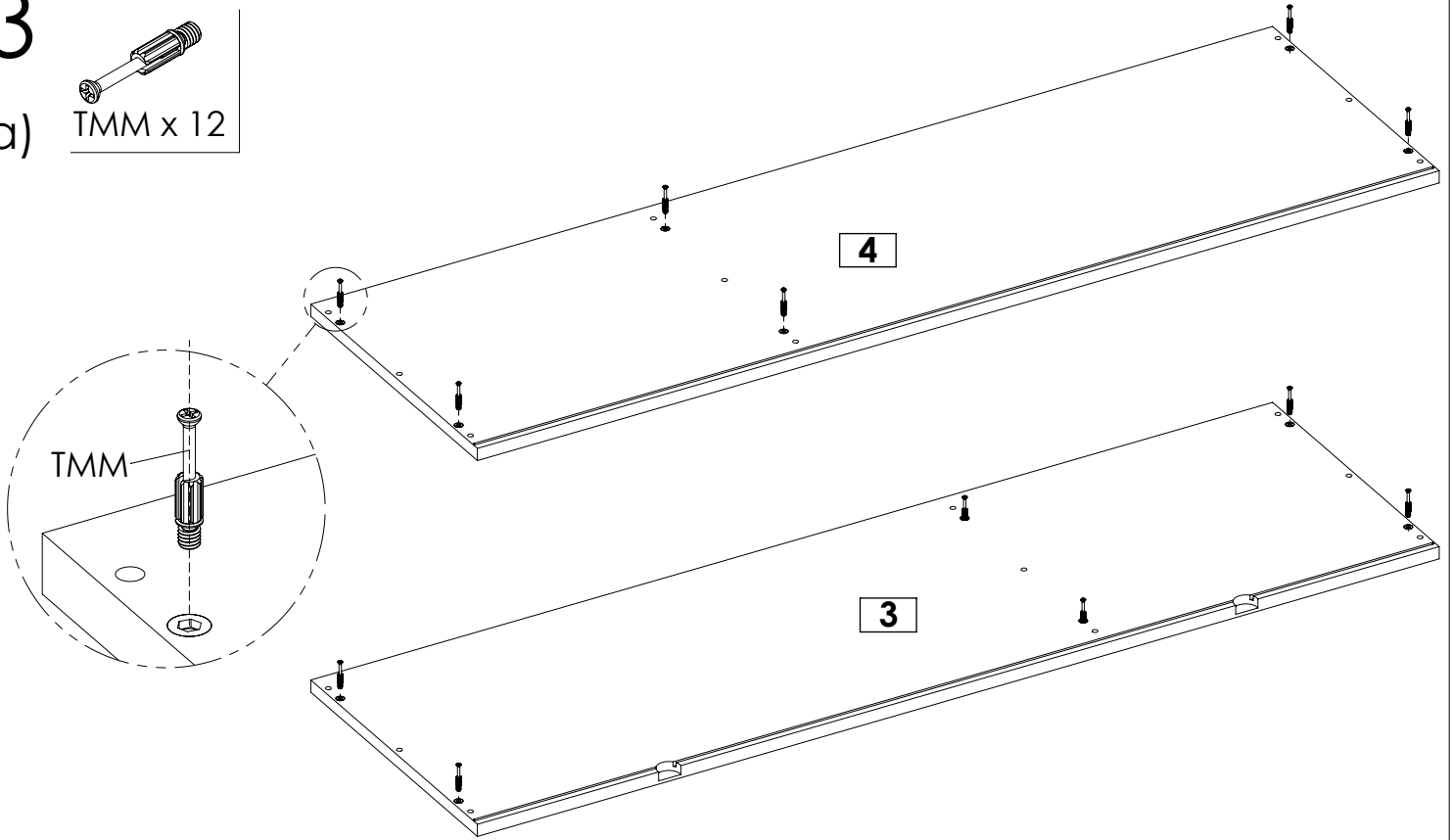


2

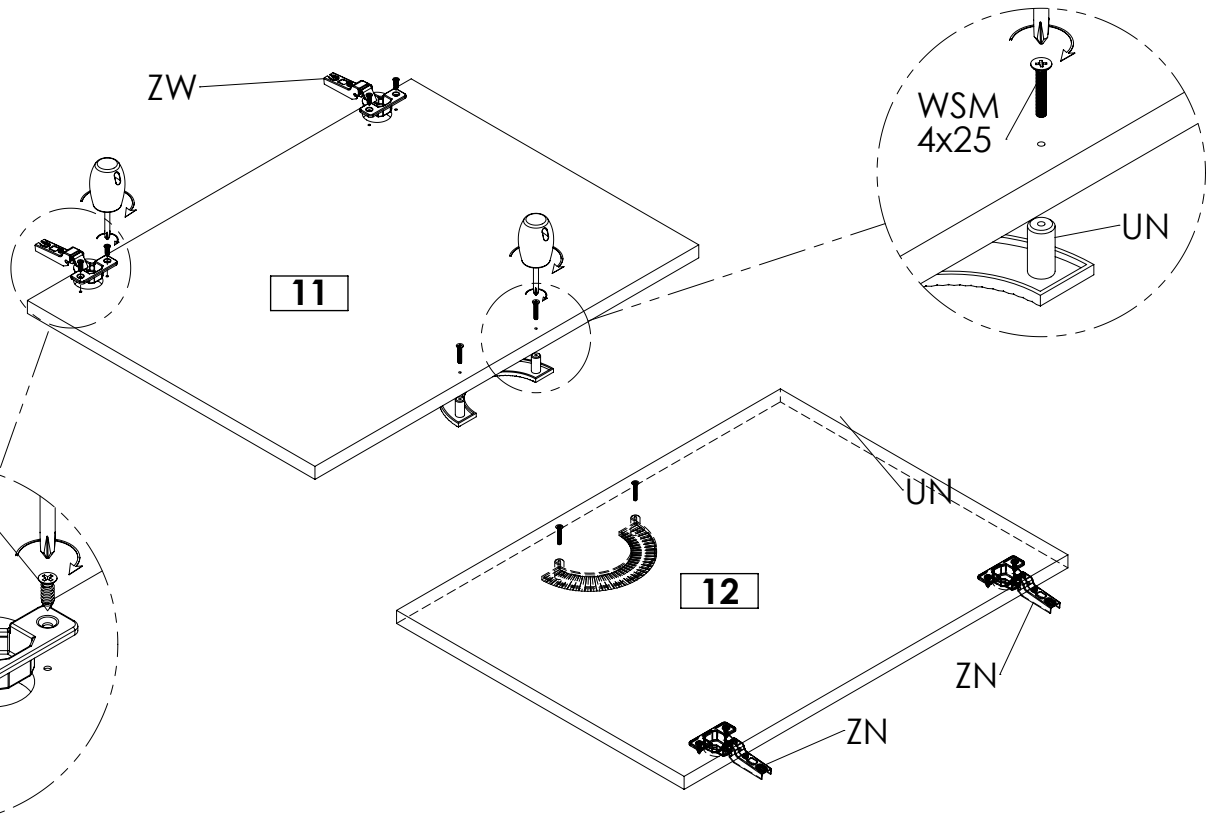
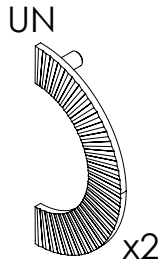
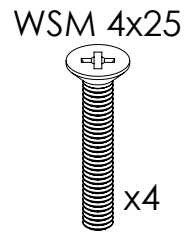
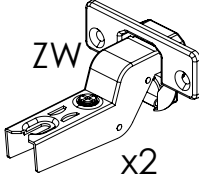
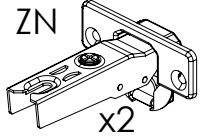


3

a) TMM x 12

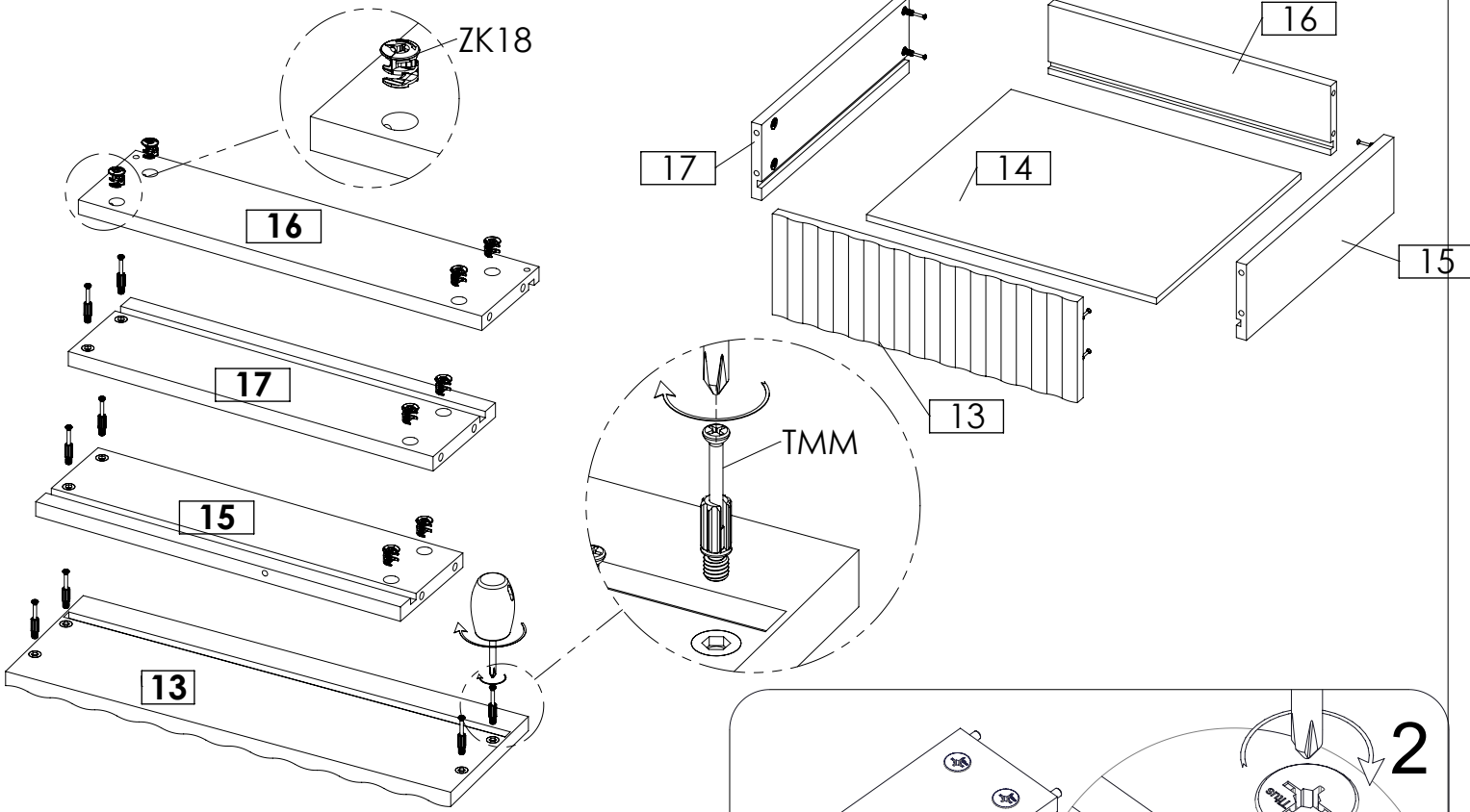
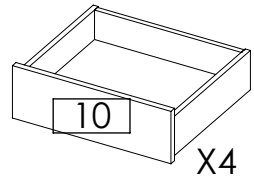
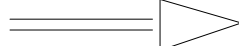
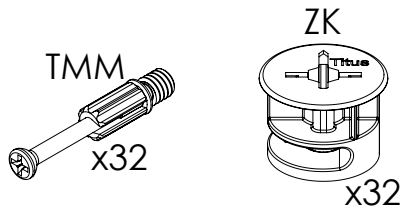


b)

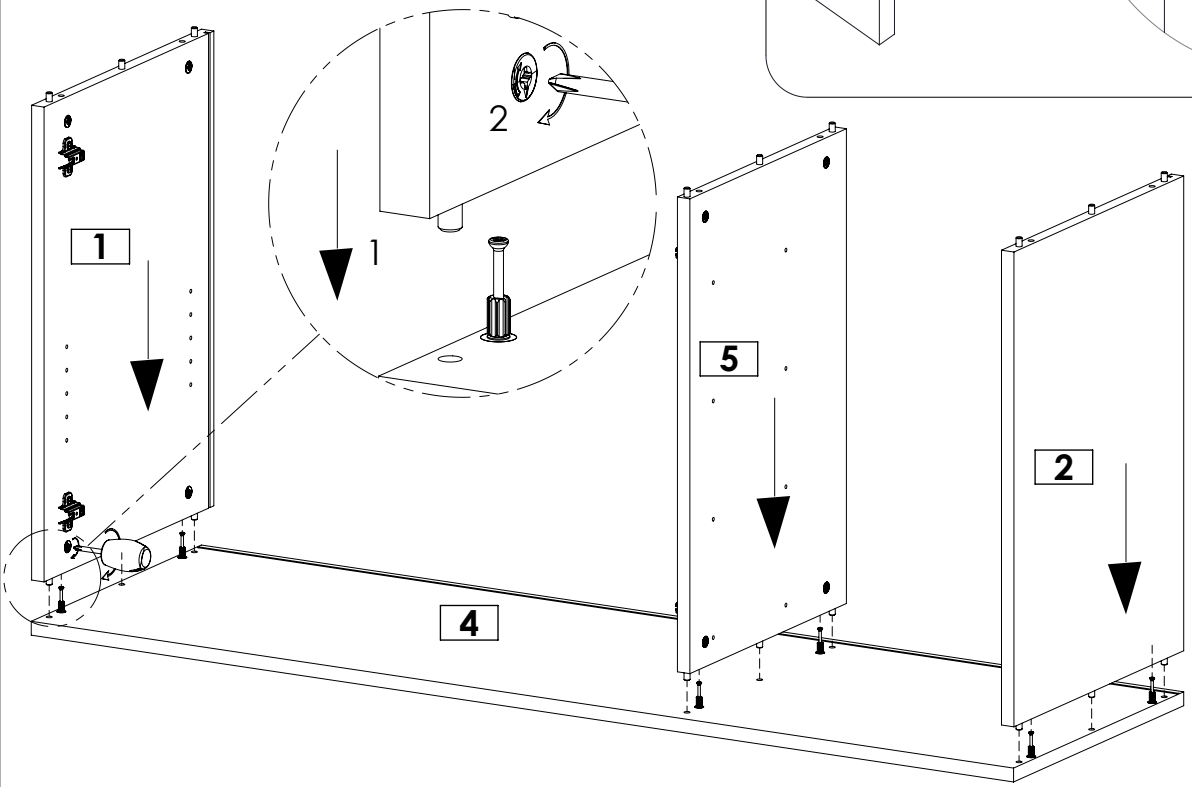
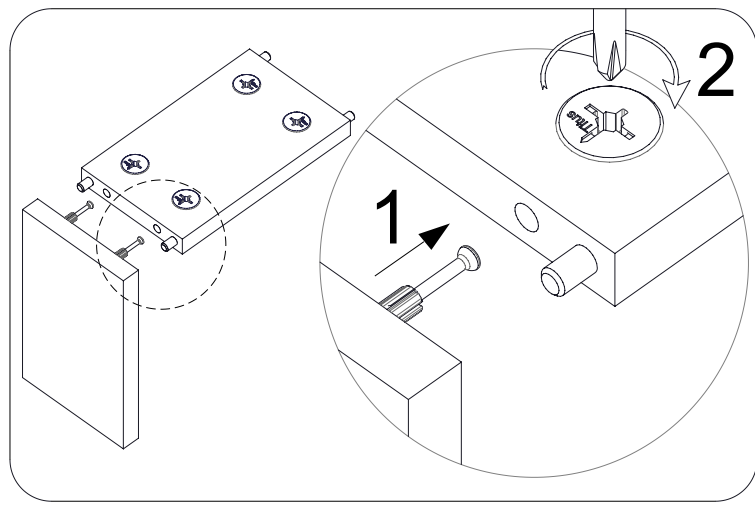


4

a)

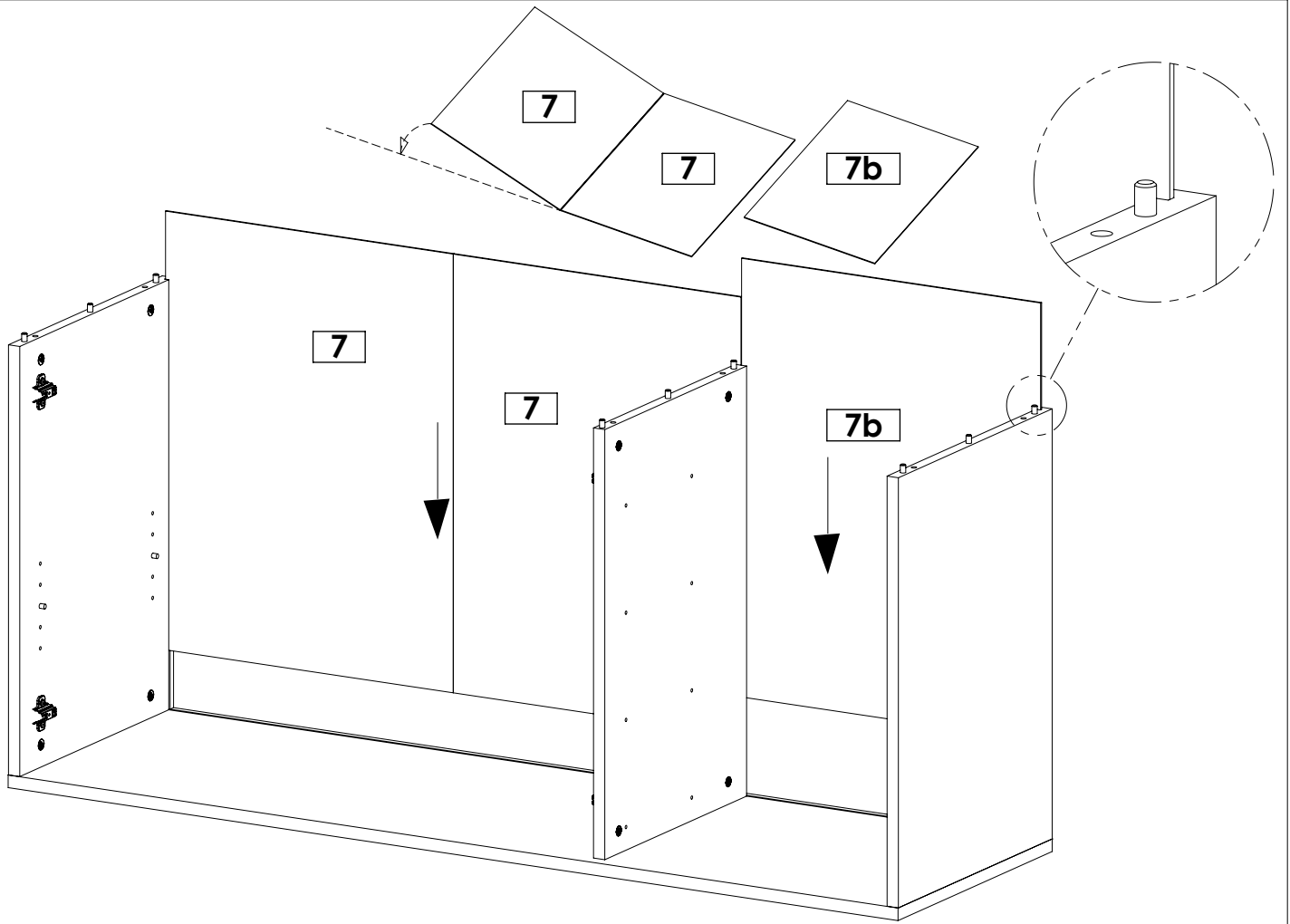


b)

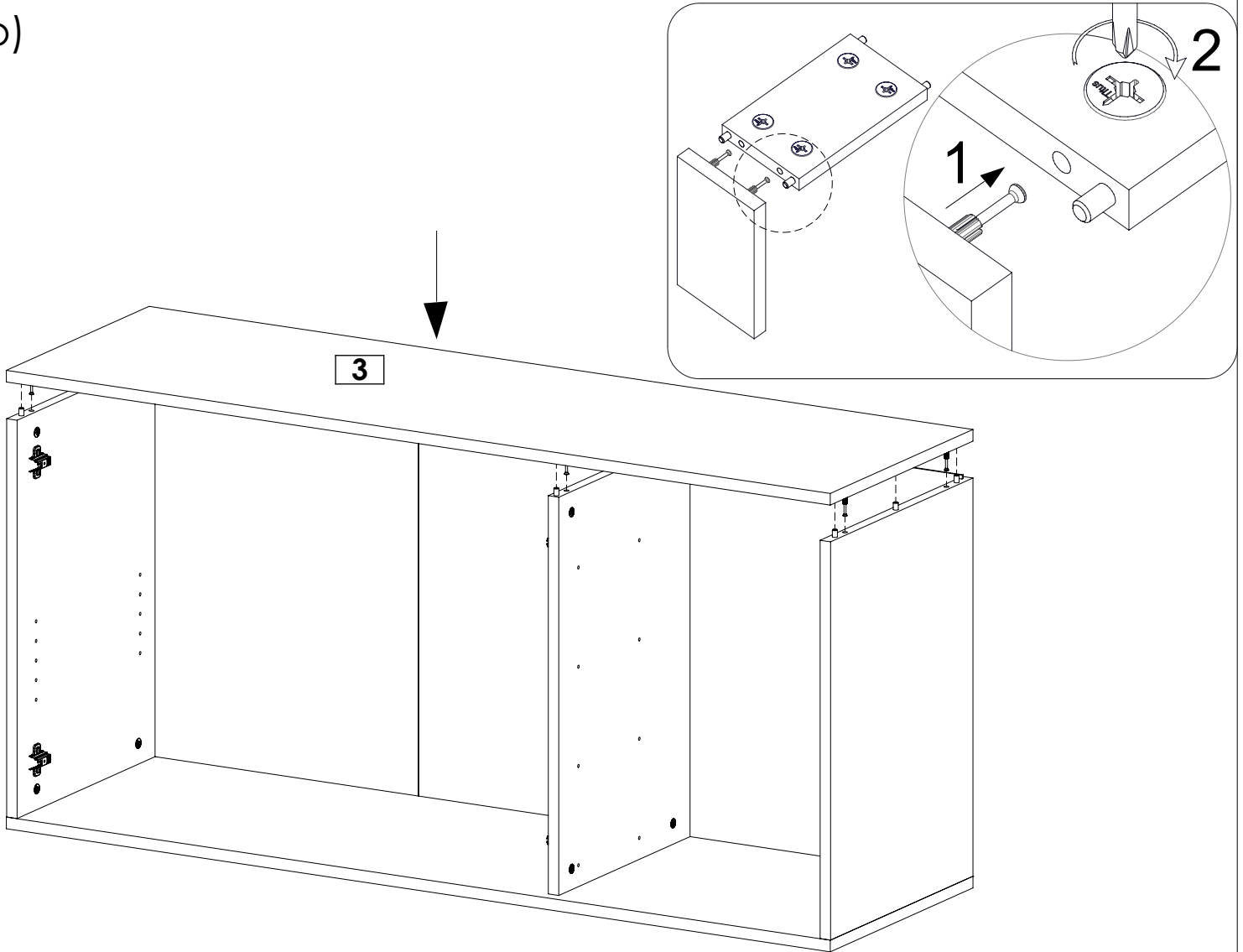


5

a)

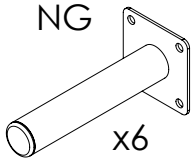


b)



6

NG



x6

SK6x15



x24

TK



18

WS2x20

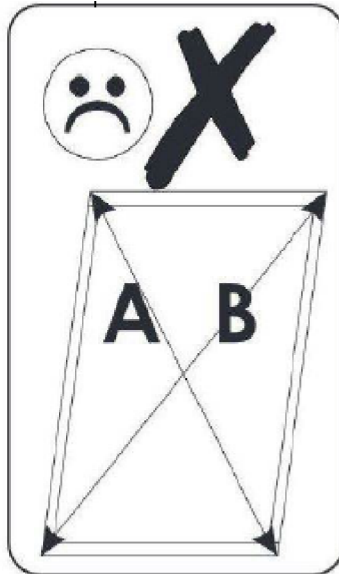
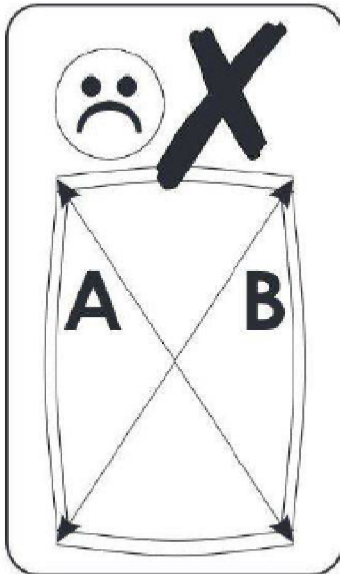
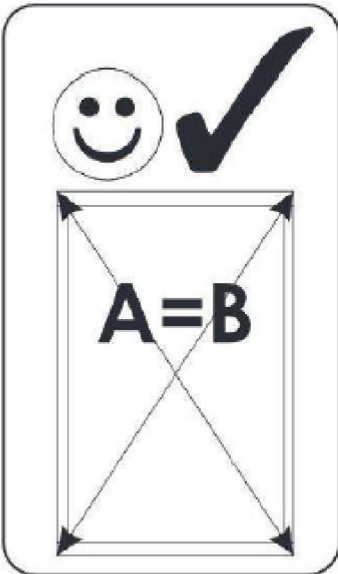
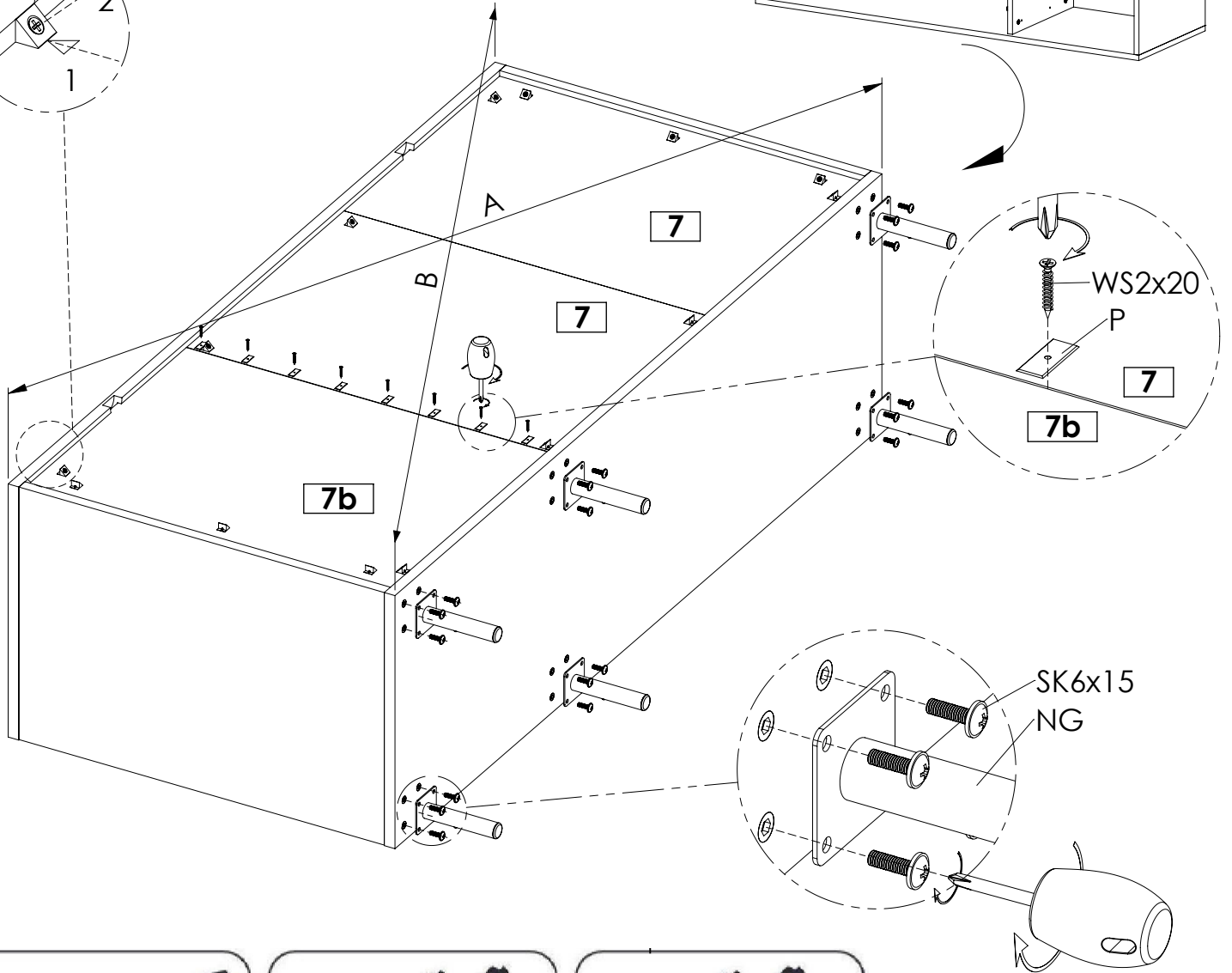
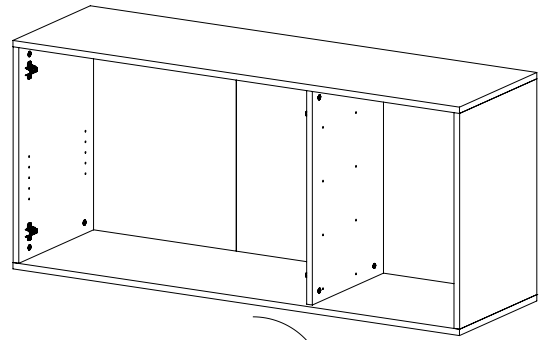
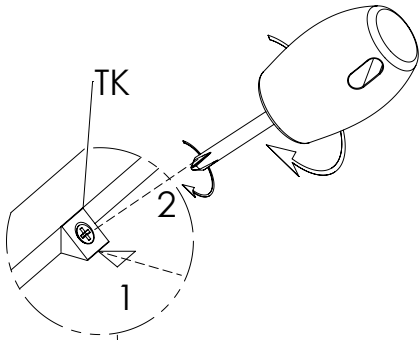


x7

P

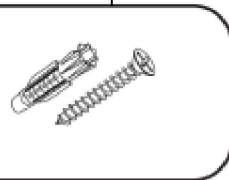
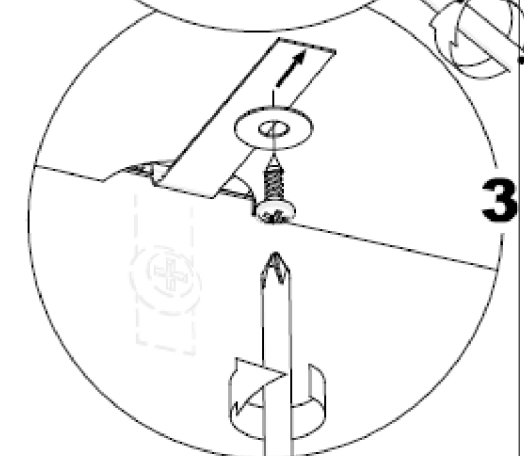
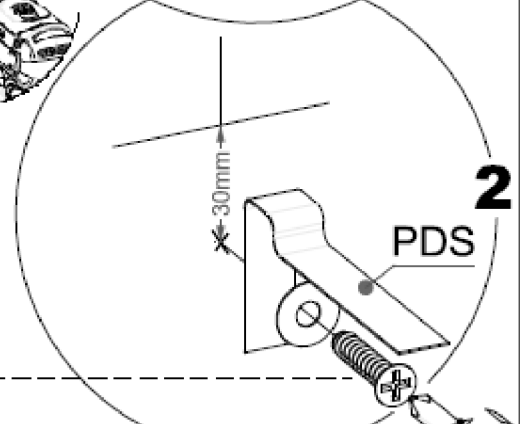
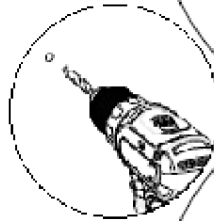
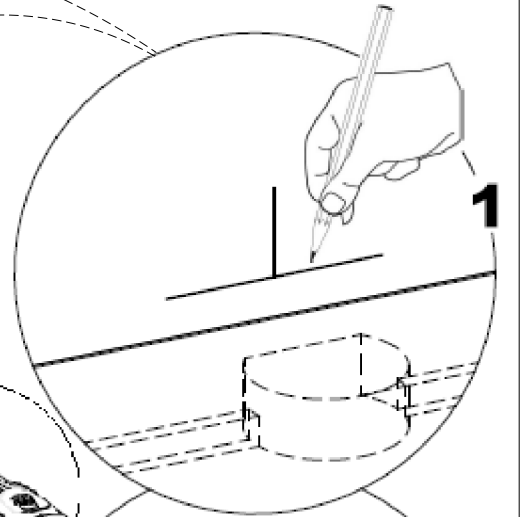
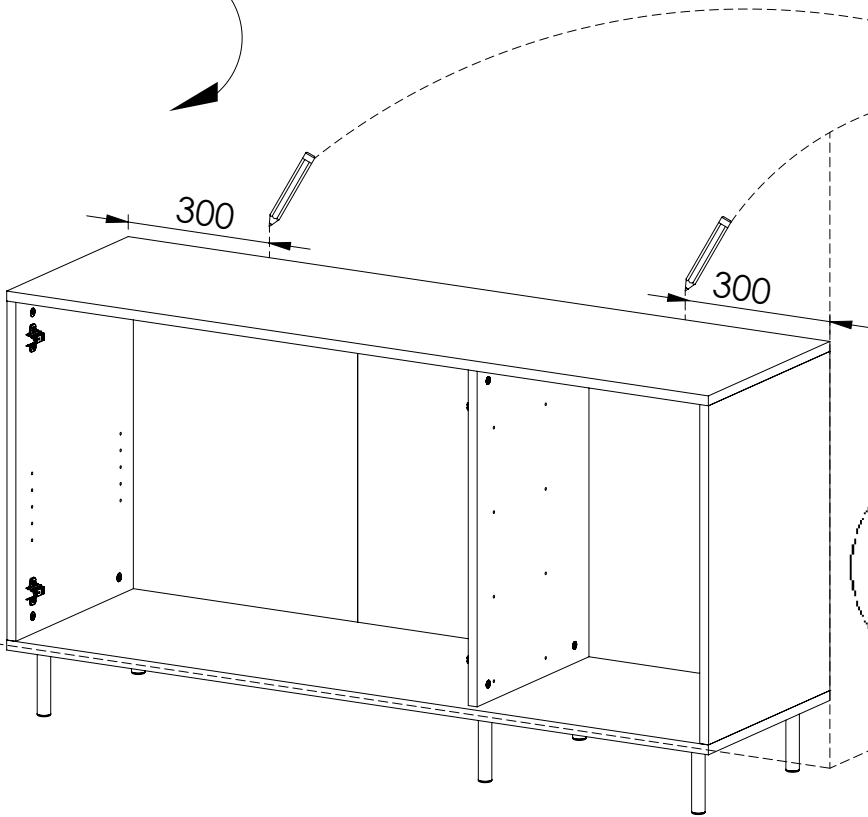
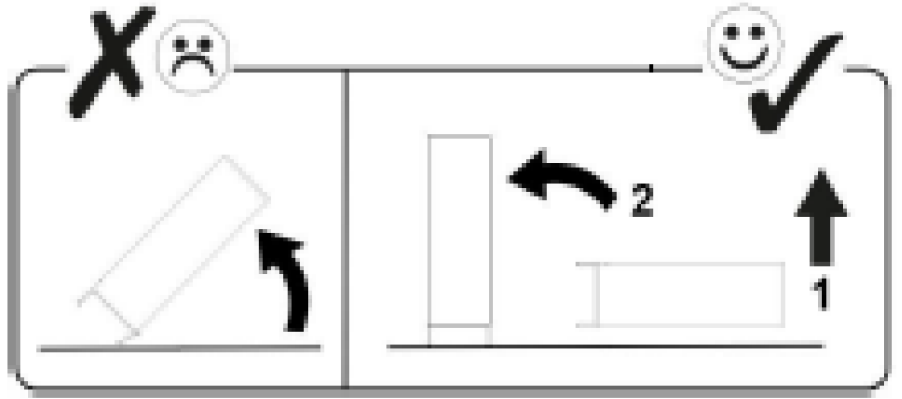
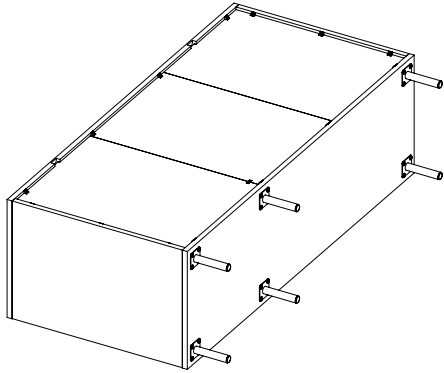
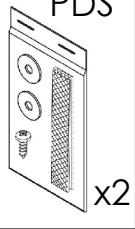


x7



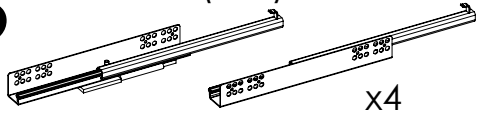
7

PDS



8

Q25-400(P+L)



x4

WE6,3x13

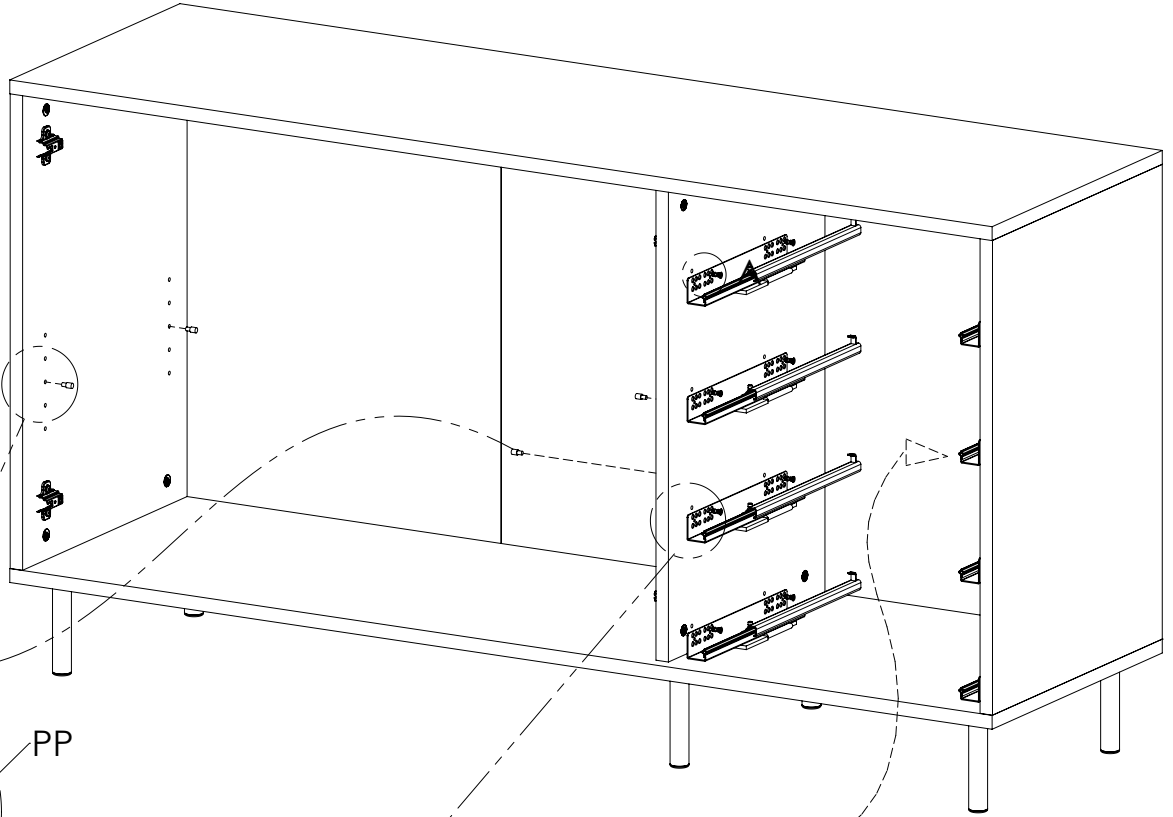


x16

PP



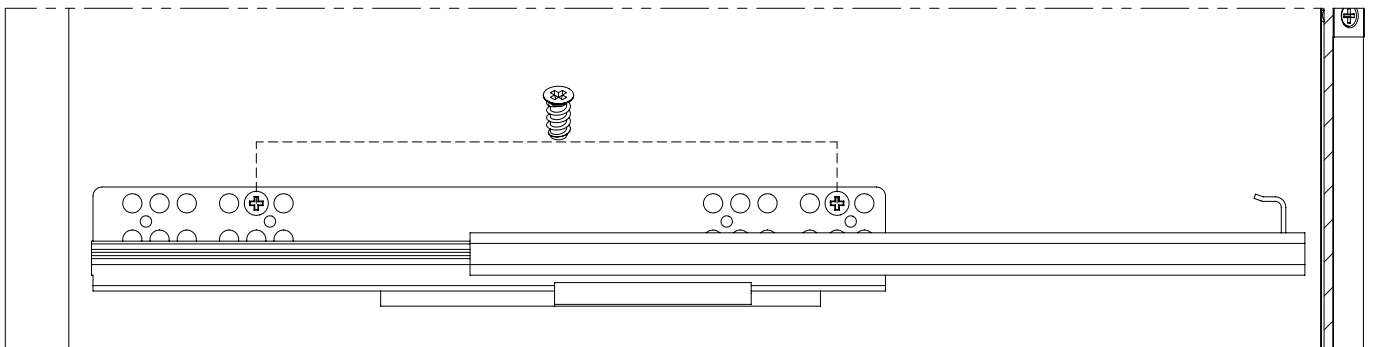
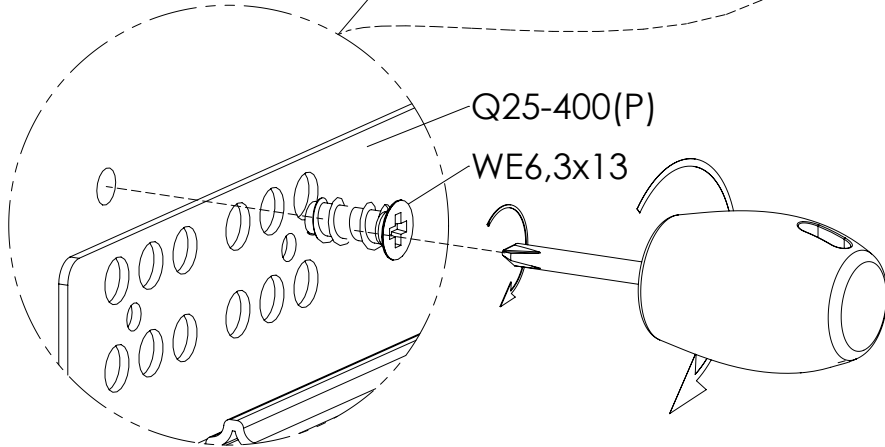
x4



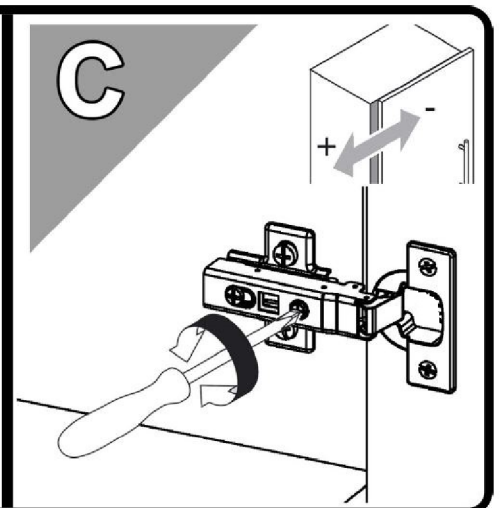
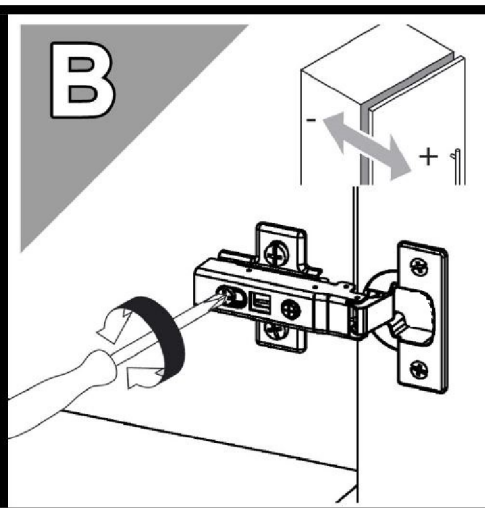
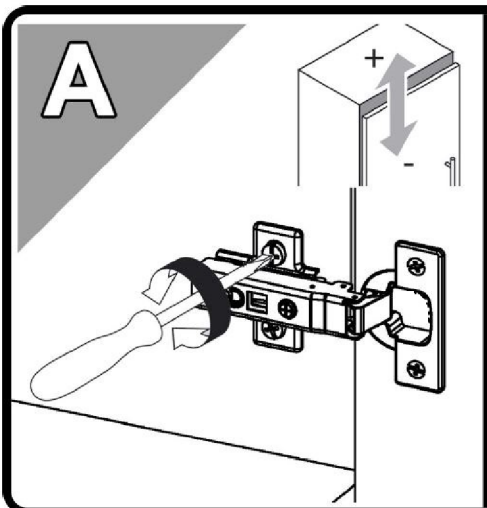
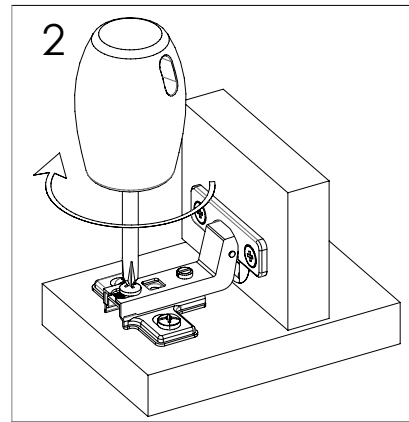
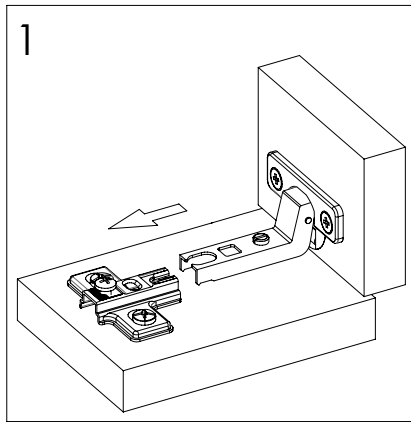
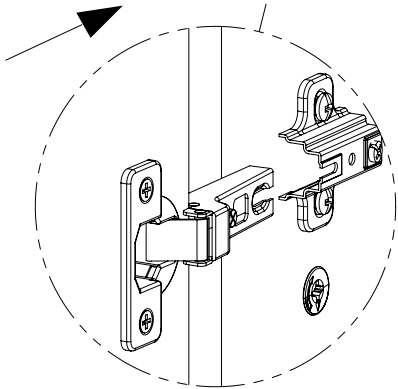
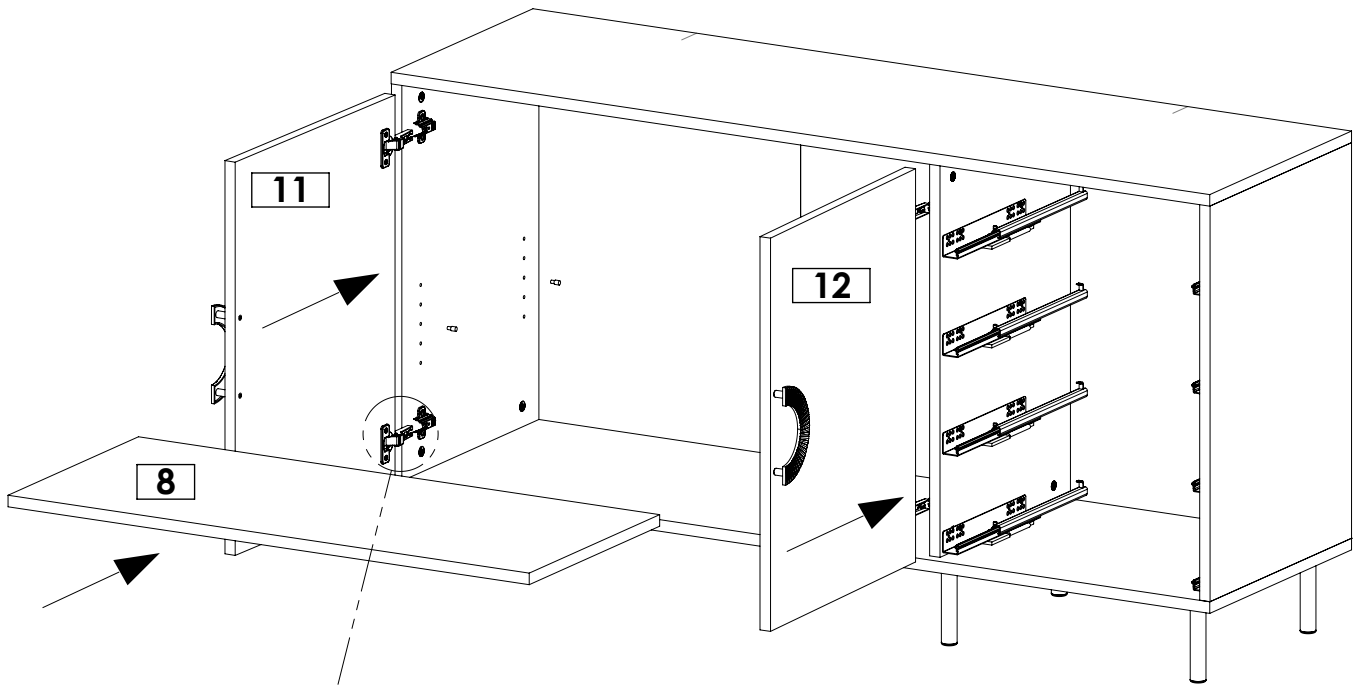
PP

Q25-400(P)

WE6,3x13

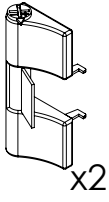


9

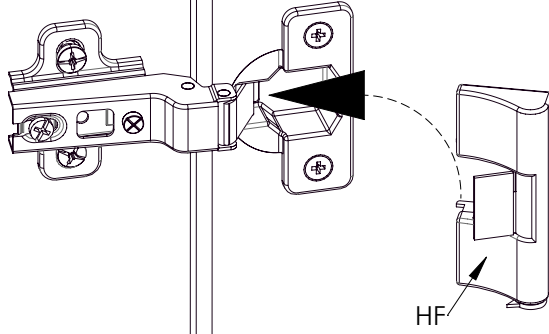


10

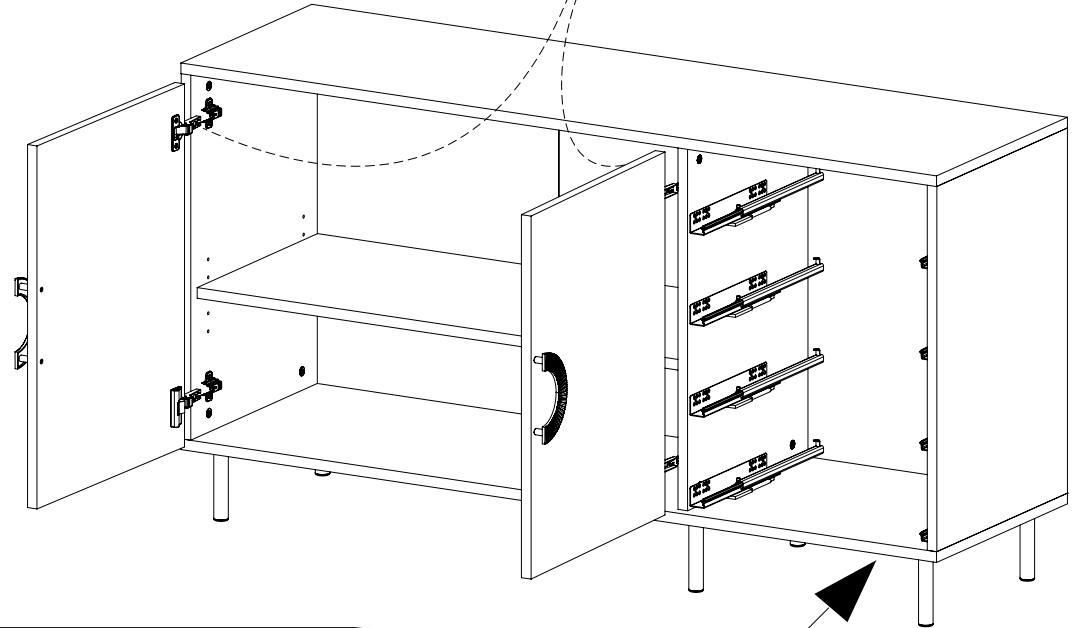
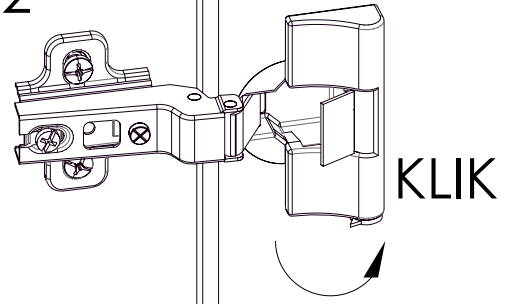
HF



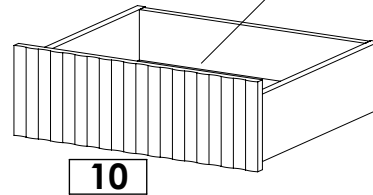
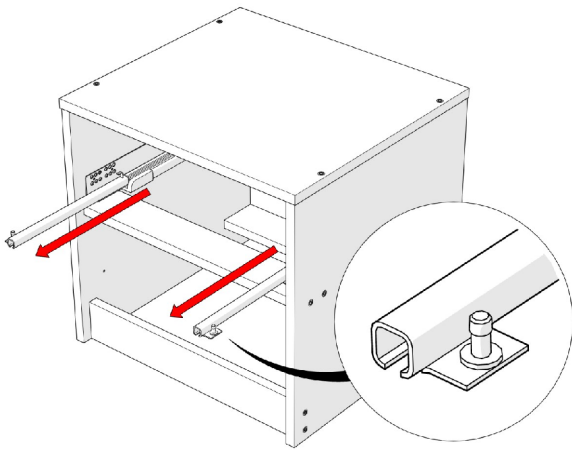
1



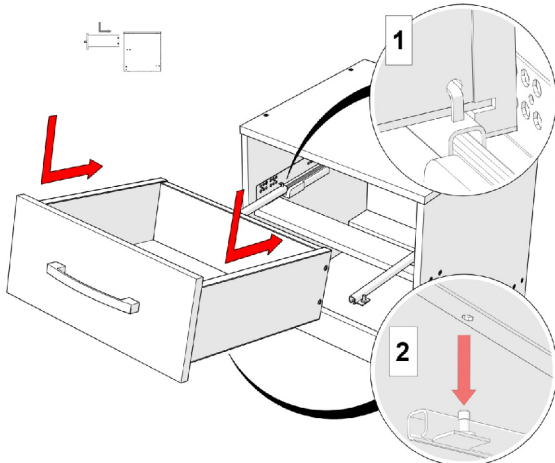
2



A



B



C

