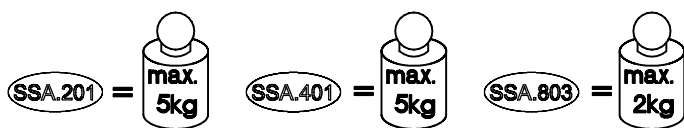
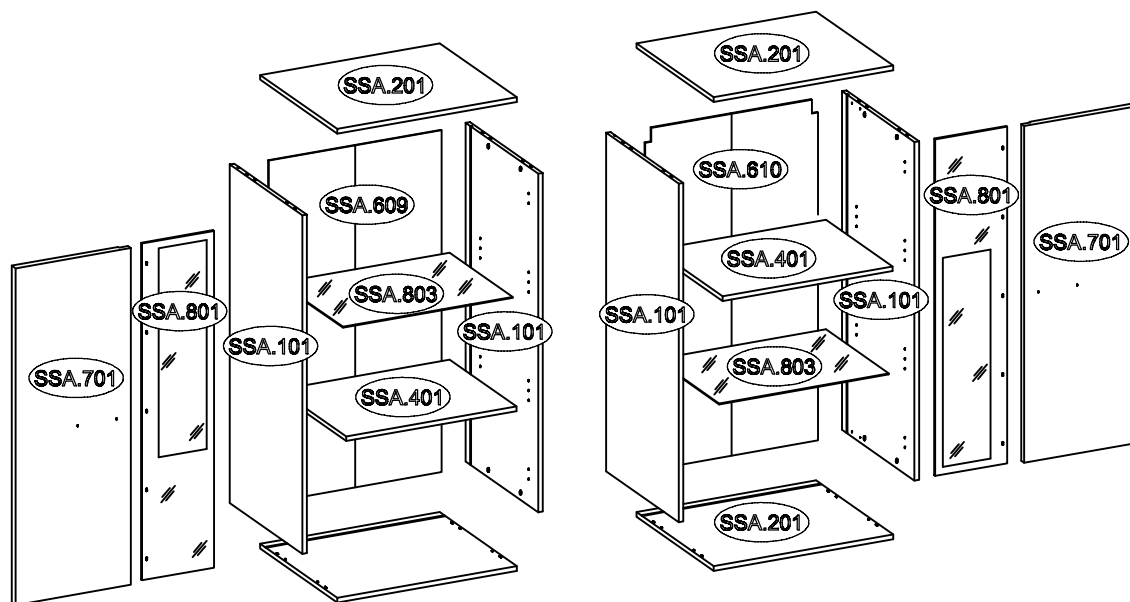
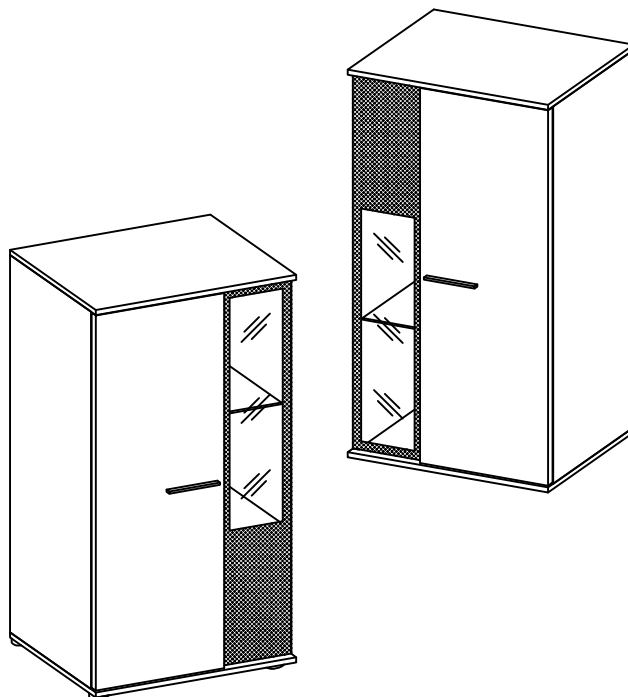


KAJA

Typ 031



L-128mm	±4.0x30mm
S11	R2
2	4



H=0	±35/0mm	±3.5x13mm
H	G	P5
6	6	12

J5
4



±5/12mm	±8x30mm	L-20mm	±4.0x25mm				±4.0x12mm	0,05		
				F10	J7	J15			L	
C	A	D2	P14	F10	J7	J15	R5	O11	L	
24	16	24	4	4	10	10	10	1	12	
±3.0x20mm			±5/16mm		±4.0x30mm	±3.5x13mm		±10x50mm	±5.0x60mm	
	L2	E		K			L9			K16
P7	L2	E	J12	K	P8	P5	L9	O7	P12	K16
8	8	24	8	2	4	1	1	5	4	2

1

x2

SSA.701

SSA.801

x2

FARBE

1h

H-0 H 6	±35/0mm G 6	±3.5x13mm P5 6
J7 10	J15 10	±4.0x12mm R5 10
		O1 1

Diagram details: Shows two panels, SSA.701 and SSA.801, being prepared. SSA.701 has brackets (G) and fasteners (P5) attached. SSA.801 has fasteners (R5) and washers (J7) attached. A clock icon indicates a 1-hour preparation time. A warning icon shows that the panels should be painted (FARBE) before assembly. A '1' in a box indicates one unit of the O1 component is needed.

2

SSA.201

SSA.401

40mm

40mm

40mm

40mm

F10

F10

F10

F10

D2

D2

D2

D2

D2

D2

D2

D2

C

C

C

C

P14

P14

P14

P14

P14

P14

F10

F10

F10

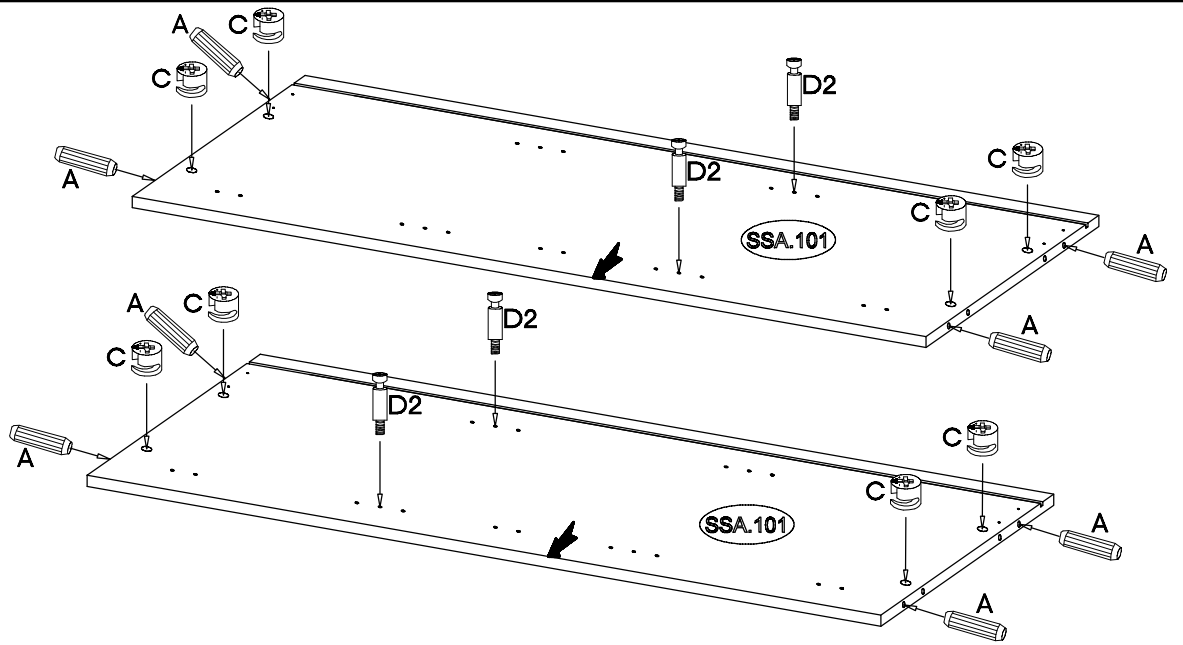
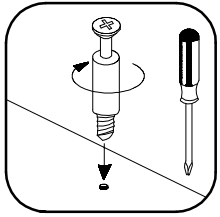
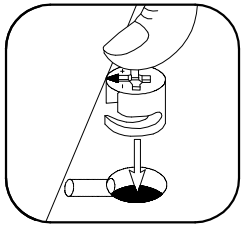
F10

F10

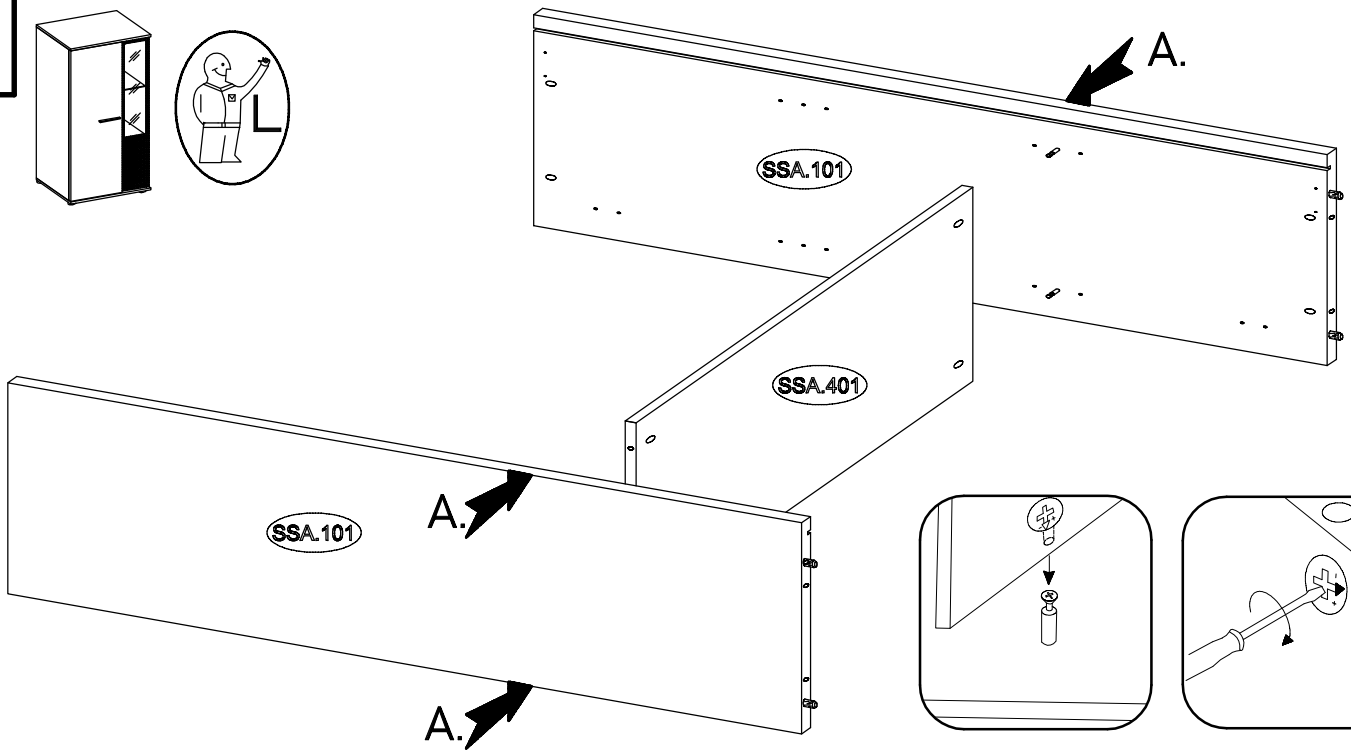
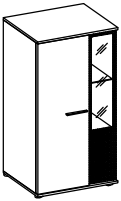
F10

±15/12mm C 12	±8x30mm A 8	L=20mm D2 12	±4.0x25mm P14 4	F10 4
---------------------	-------------------	--------------------	-----------------------	----------

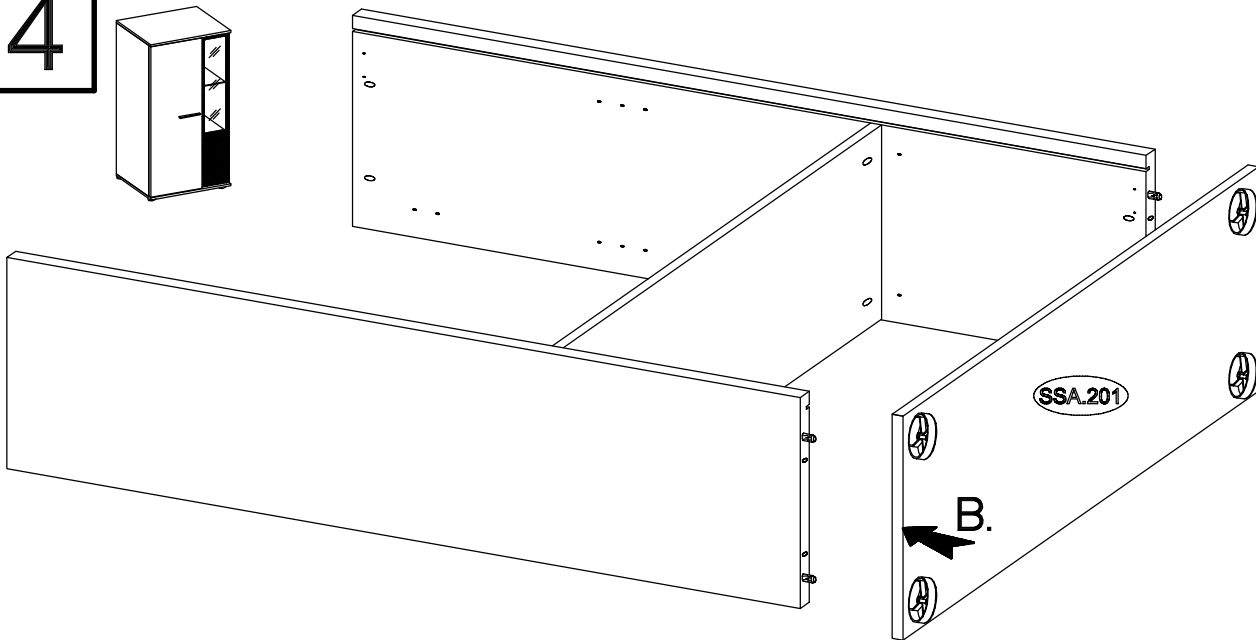
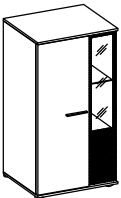
Diagram details: Shows the final assembly of the panels. SSA.201 panels are attached to the SSA.701 panel using fasteners (D2) and washers (F10). SSA.401 panels are attached to the SSA.801 panel using fasteners (D2) and washers (C). A 4x4 grid of F10 fasteners is shown with 40mm spacing. A table at the bottom lists the required parts and quantities: 12 of C (washers), 8 of A (spacers), 12 of D2 (screws), 4 of P14 (screws), and 4 of F10 (washers). Two inset diagrams show the correct installation of the D2 screws and the F10 washers.



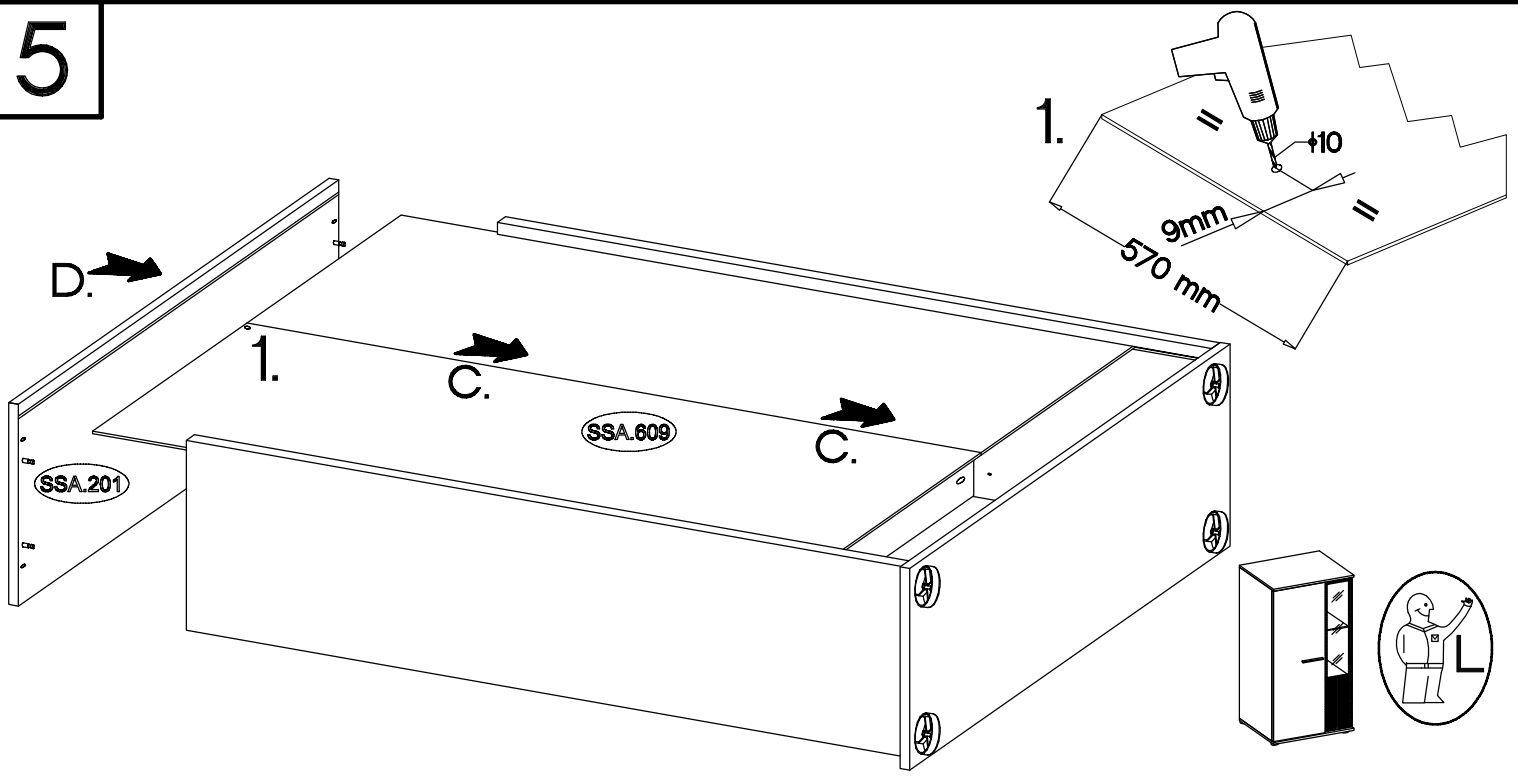
3



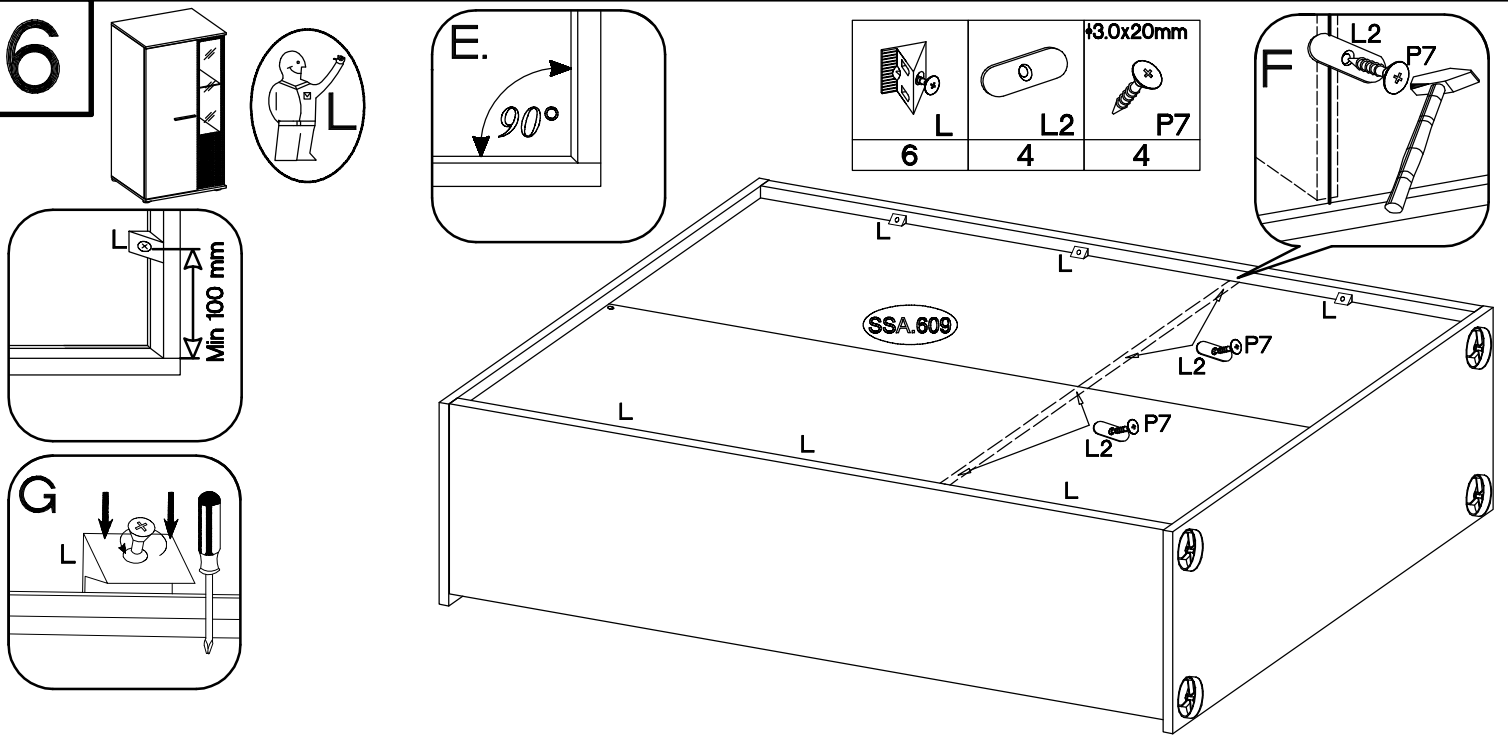
4



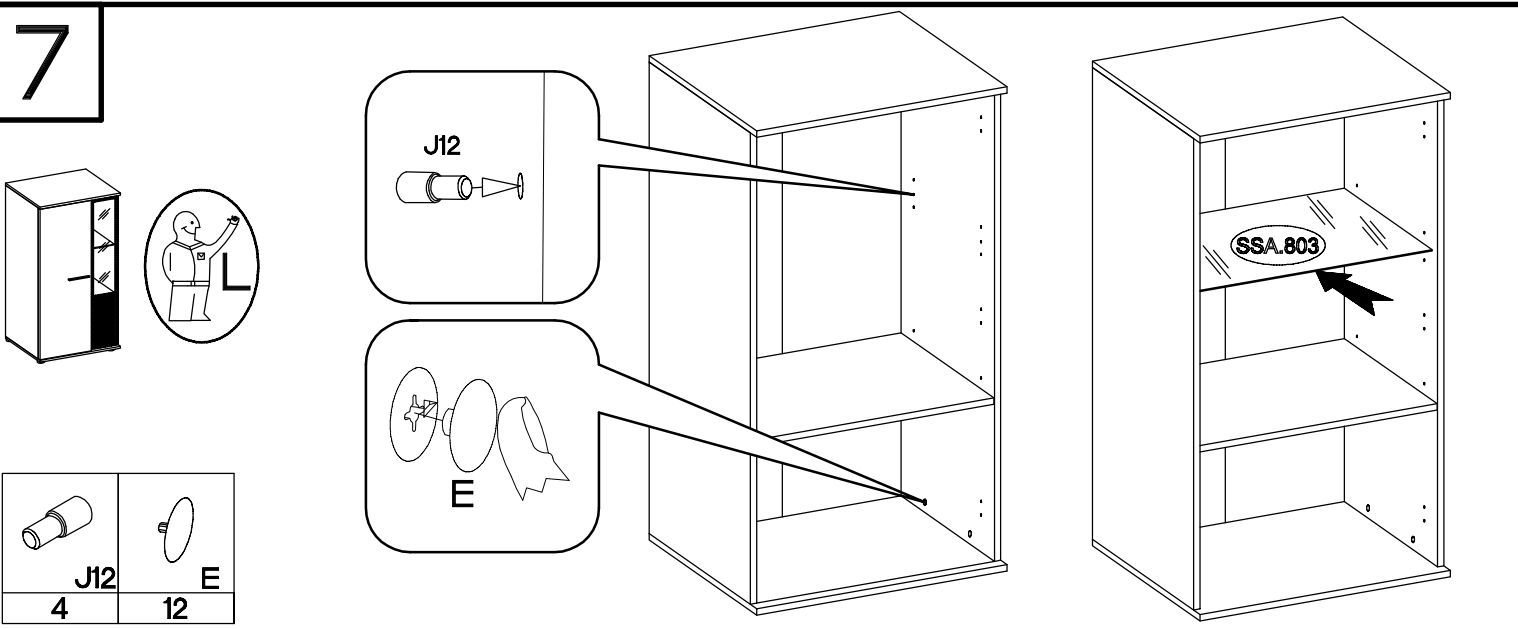
5



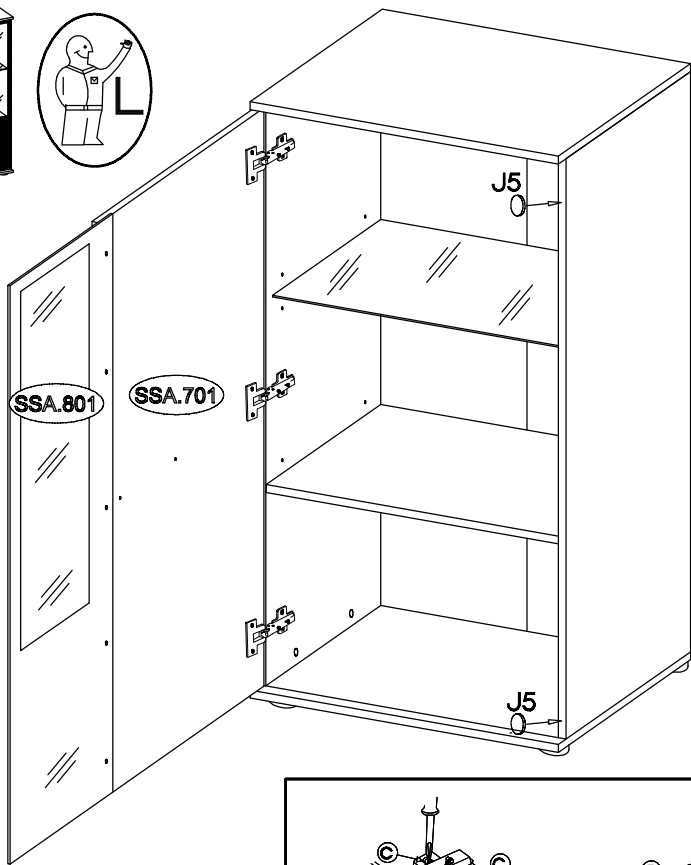
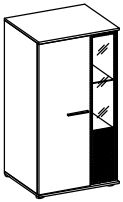
6



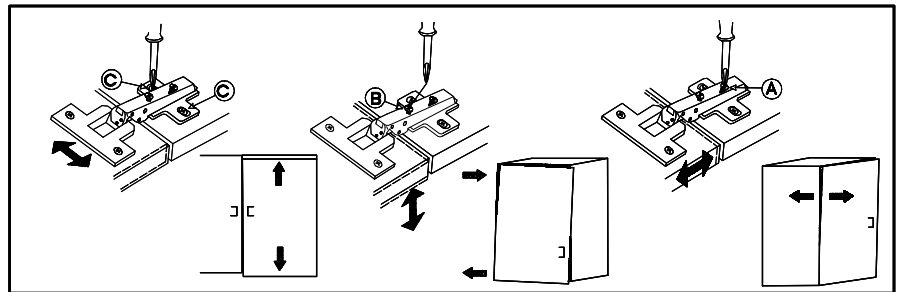
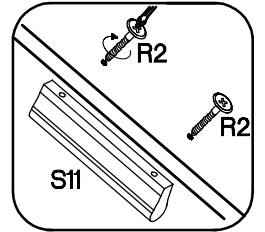
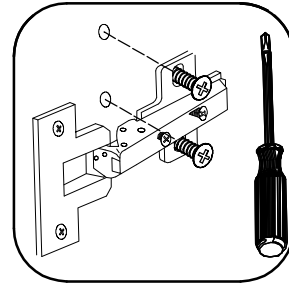
7



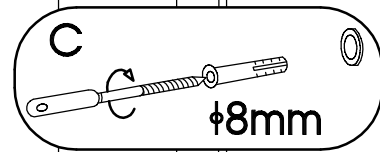
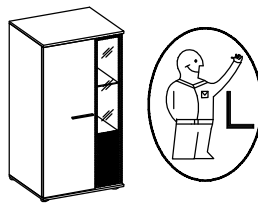
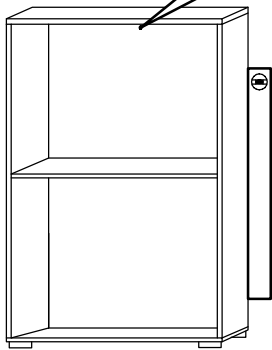
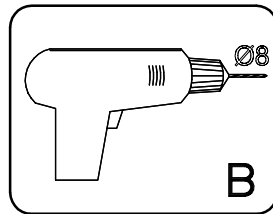
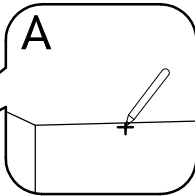
8



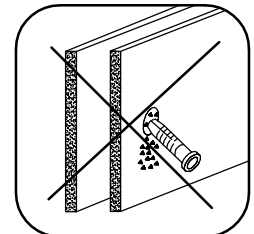
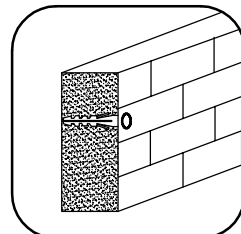
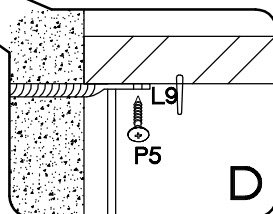
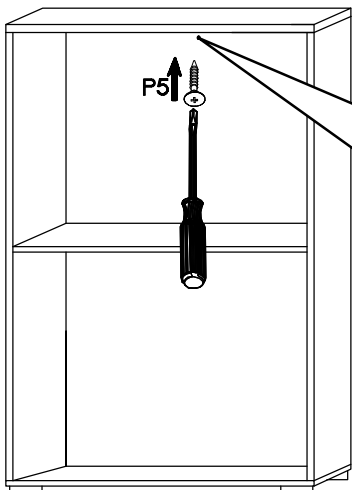
	$\phi 4.0 \times 30 \text{mm}$	L=128mm
J5	R2	S11
2	2	1



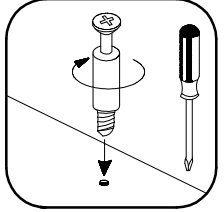
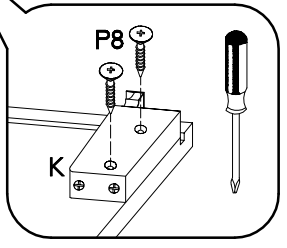
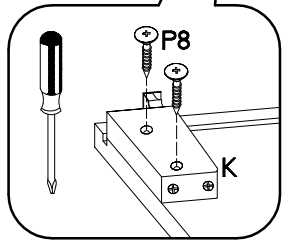
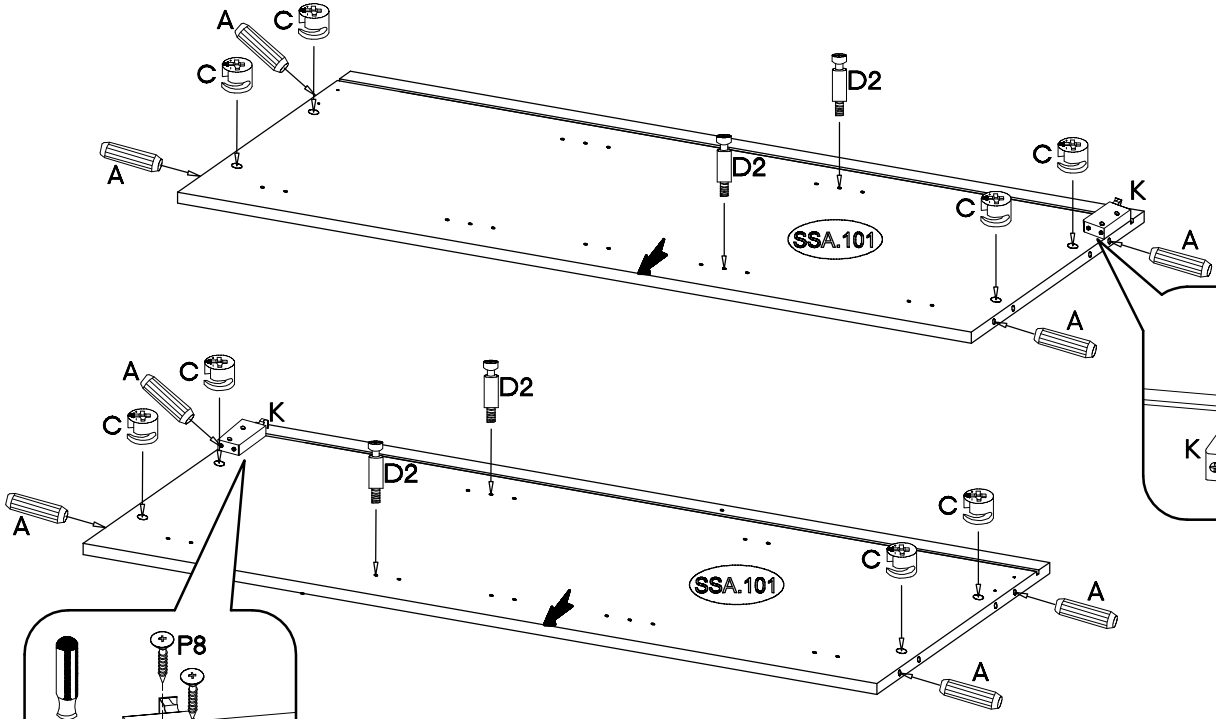
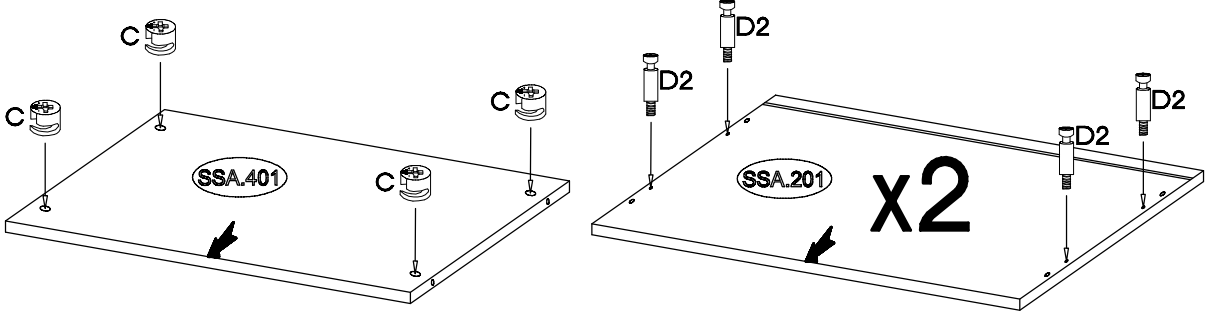
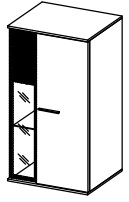
9



	$\phi 3.5 \times 13 \text{mm}$	$\phi 10 \times 50 \text{mm}$
L9	P5	O7
1	1	1

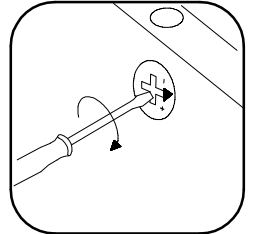
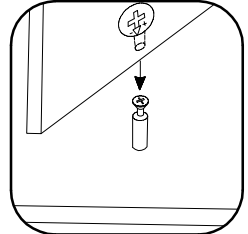
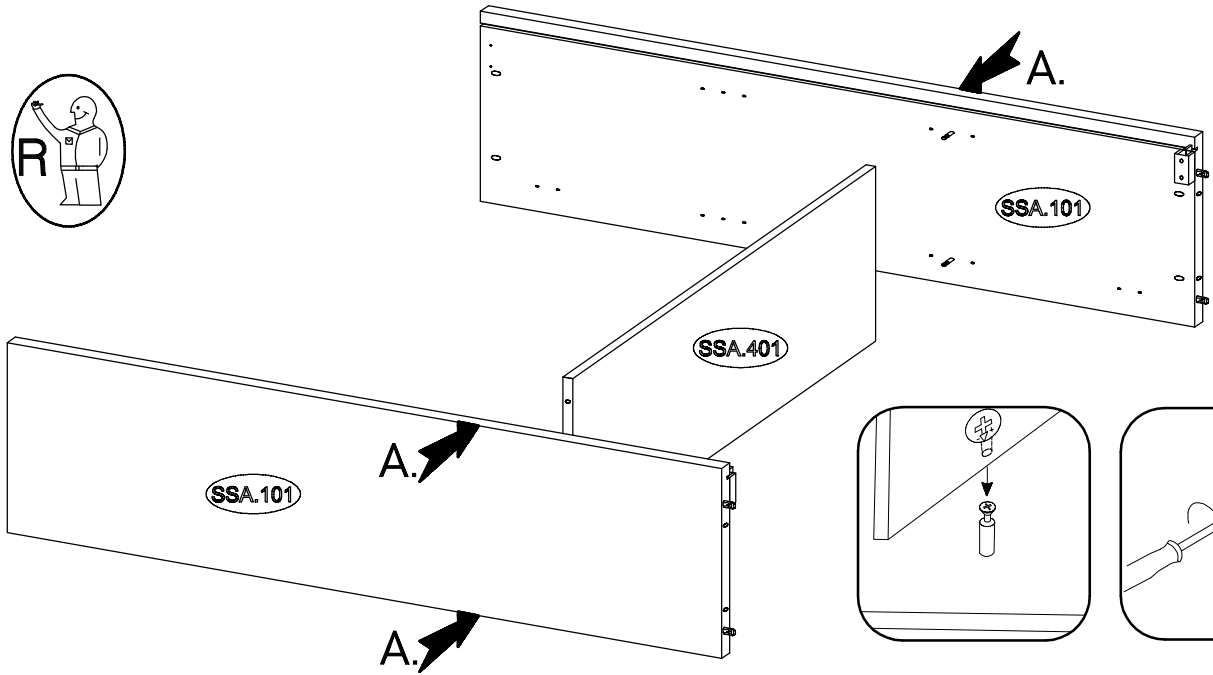
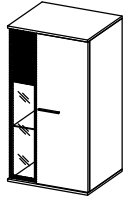


10

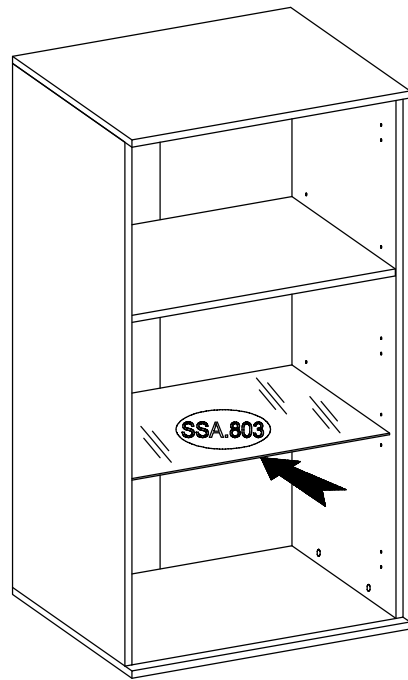
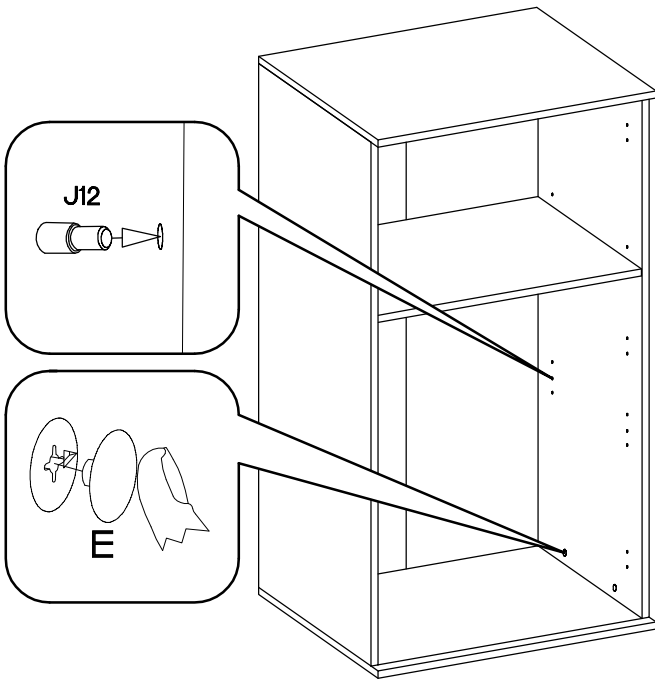
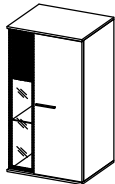


 C	 A	 D2	 K	 P8
12	8	12	2	4

11

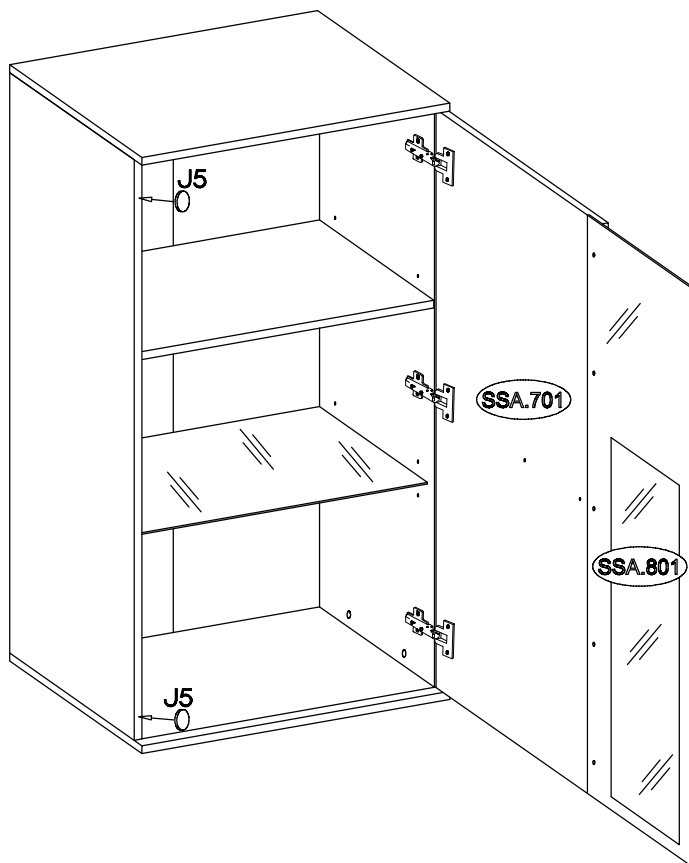
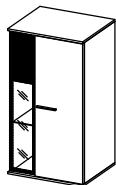


15

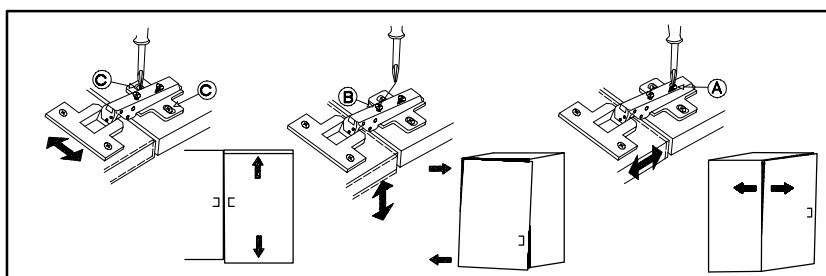
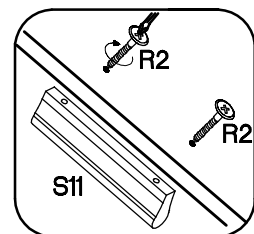
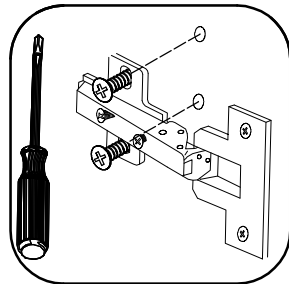


J12	E
4	12

16



J5	R2	S11
2	2	1



±5.0x60mm	±10x50mm	
P12	O7	K16
4	4	2

